

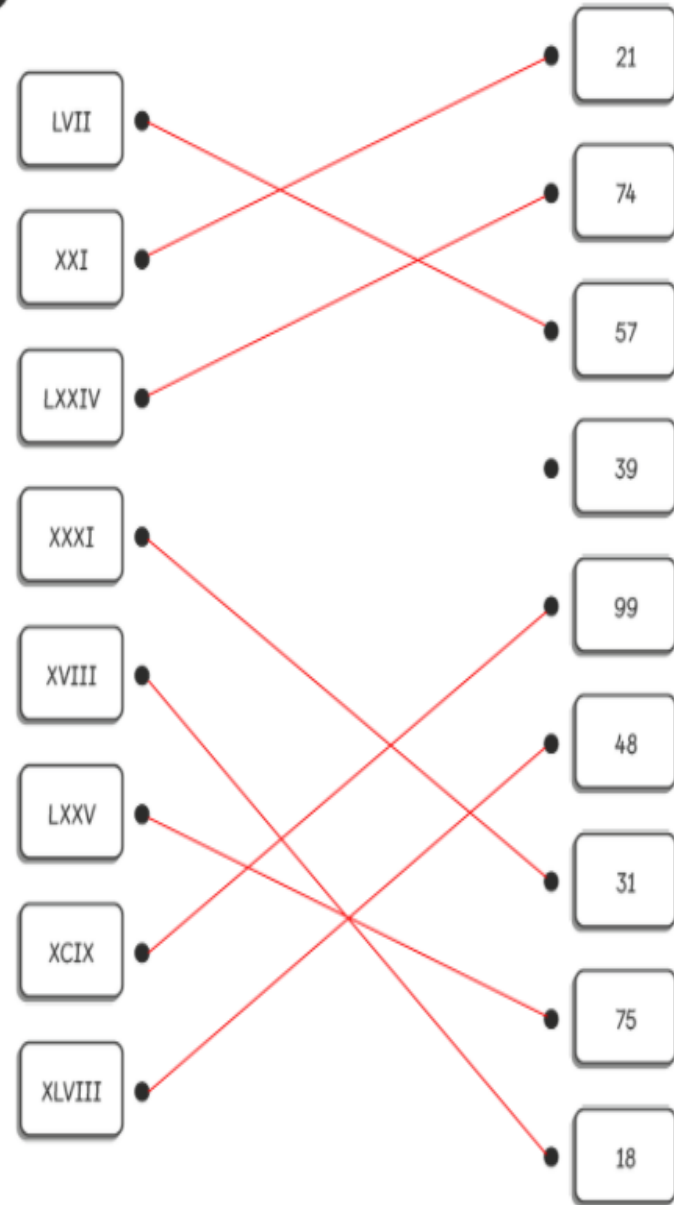
Writing Roman Numerals to 100

1 Write the Roman numerals next to the numbers given.

5	V
10	X
15	XV
20	XX
25	XXV
30	XXX
35	XXXV
40	XL
45	XLV
50	L

55	LV
60	LX
65	LXV
70	LXX
75	LXXV
80	LXXX
85	LXXXV
90	XC
95	XCV
100	C

2 Match.



3 Complete the table.

Numbers	Roman Numerals
16	XVI
24	XXIV
33	XXXIII
40	XL
51	LI
66	LXVI
69	LXIX
75	LXXV
77	LXXVII
96	XCVI